



KODAK PIXPRO AZ255

DIGITAL CAMERA



- Quick Start Guide
- Guide de démarrage rapide
- Guía de inicio rápido
- Guia de Inicialização rápida
- Schnellstartanleitung

Üzembe helyezési útmutató
Guida avvio veloce

The Kodak trademark, logo and trade dress are used under license from Eastman Kodak Company.

La marque de commerce Kodak, logo et son apparence sont utilisées sous licence Eastman Kodak Company.

La marca, el logotipo y la imagen comercial Kodak son usadas bajo licencia de Compañía Eastman Kodak.

A marca, logotipo e a imagem comercial Kodak são usadas sob licença da Eastman Kodak Company.

Die Kodak, das Logo und die Kodak-Markenausstattung werden unter Lizenz von Eastman Kodak Company genutzt.

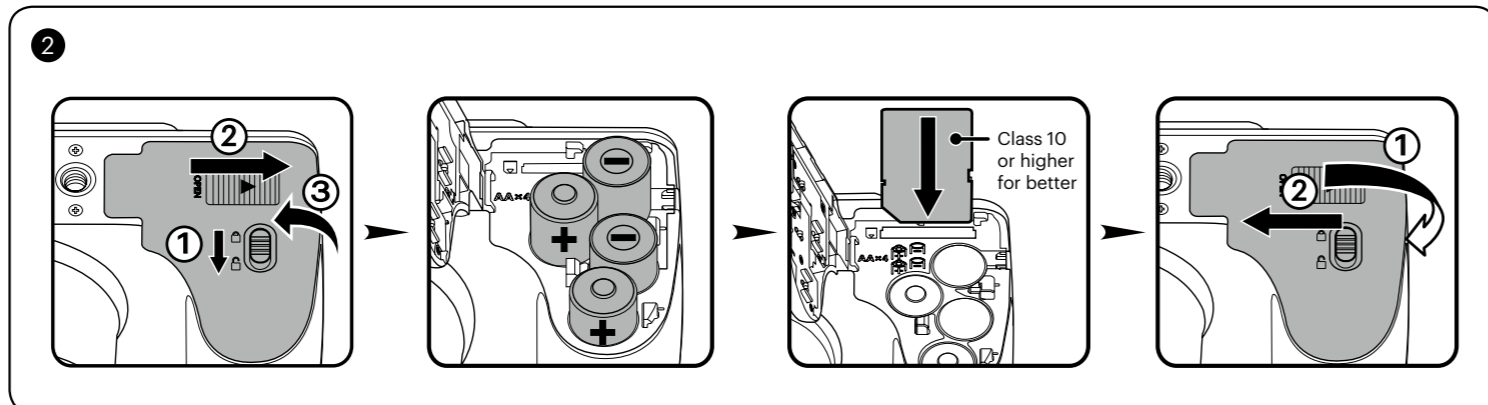
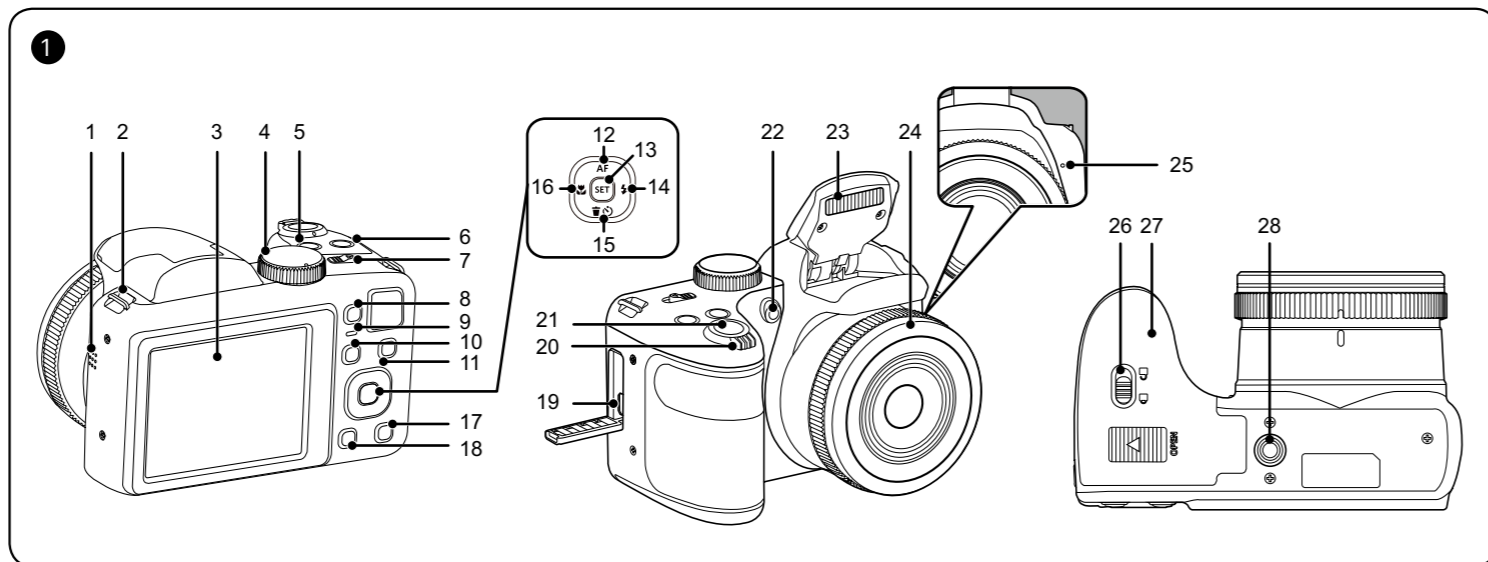
Товарный знак Kodak, логотип и товарная упаковка используются по лицензии компании Eastman Kodak Company.

A Kodak márkajelzés, embléma és kereskedelmi jelzés használata a Eastman Kodak Company. engedélyével történik.

Il marchio Kodak, logo ed il trade dress Kodak sono usati sotto licenza di Eastman Kodak Company.

Торгова марка Kodak, логотип та фірмовий стиль використовуються за ліцензією Eastman Kodak Company.

© 2022 JK Imaging Ltd. All Rights Reserved.
JK Imaging Ltd., 17239 So. Main Street, Gardena, CA 90248 USA
kodakpixpro.com



Battery Usage Precautions

- Please use brand name batteries (such as Energizer® or Duracell®) for optimal performance. Do not mix new and old batteries or use different brands of batteries. When replacing batteries, please replace all 4 batteries at the same time.
- The performance and life expectancy of alkaline batteries will vary depending on the brand.
- Do not mix alkaline, standard (carbon-zinc), or rechargeable (ni-cad, ni-mh, etc.) batteries.

The detailed Camera User Manual is available online at the website below:

Le Manuel d'utilisation de l'Appareil Photo est disponible dans le site internet suivant:

El manual de usuario de la cámara se encuentra disponible en el siguiente sitio web:

O Manual do usuário da Câmera é disponível no site Web abaixo:

Das Benutzerhandbuch der Kamera ist auf der folgenden Website verfügbar:

Руководство пользователя камеры размещены на веб-сайте:

A kamera Felhasználói kézikönyv az alábbi webhelyen található:

Il manuale dell'utente della fotocamera è disponibili al sito web riportato sotto:

інструкції до камери користувача доступний на веб-сайті нижче:

Americas

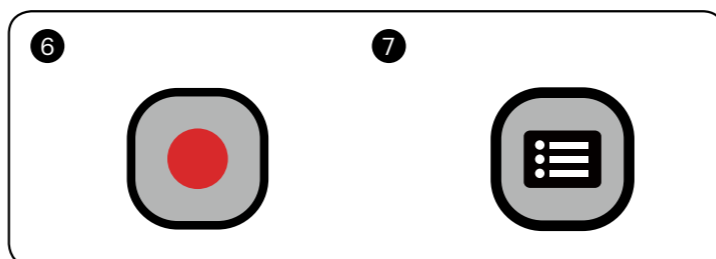
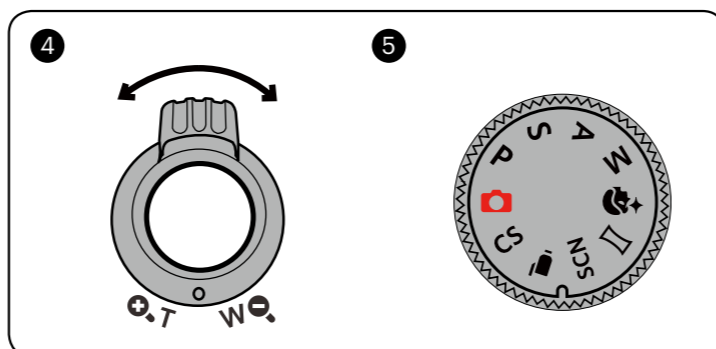
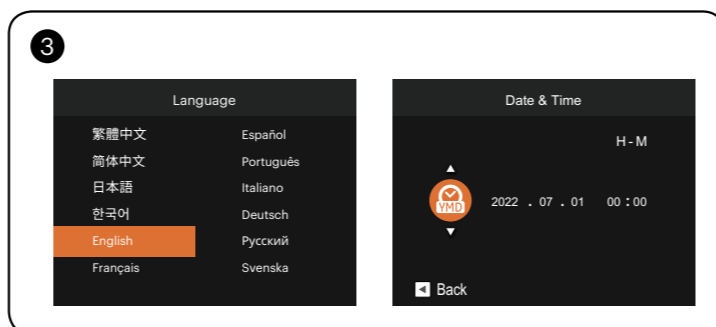


<https://us.kodakpixpro.com/az255/user-manual/>

Europe



<https://kodakpixpro.com/Europe/support/multi-lang-downloads.php>



1 Camera Views

1 Speaker	15 [▼] Delete Button / Self-Timer Button / Arrow Button (Down)
2 Strap Eyelet	16 [◀] Macro Button / Arrow Button (Left)
3 LCD	17 Display Button
4 Mode Dial	18 Playback Button
5 Continuous Shot Button	19 Micro USB Port
6 Exposure Compensation Button	20 Zoom Lever
7 Power Switch	21 Shutter Button
8 Fast Video Recording Button	22 AF Assist Beam / Self-Timer Lamp
9 Indicator Lamp	23 Flash Lamp
10 "L" Button	24 Lens
11 Menu Button	25 Microphone
12 [▲ AF] AF Button / Arrow Button (Up)	26 Battery Cover Buckle
13 SET Button	27 Battery Door Cover
14 [▶] Flash Button / Arrow Button (Right)	28 Tripod Socket

2 Installing AA Batteries and Memory Card

- Open the Battery Cover Door as shown in step ①, ② and ③.
- Insert the AA Batteries into the battery compartment.
- Insert the Memory Card into the memory slot.
- Close the Battery Cover Door as shown in step ① and ②.

3 Setting the Language/Date/Time

- Push the Power Switch to turn the camera on and the language menu will appear. Use the [▲ AF] / [▼] / [◀] / [▶] buttons to select a language and press the [SET] button to confirm the language.
- Use the [▲ AF] / [▼] / [◀] / [▶] buttons again to set the date and time and press the [SET] button to confirm.

4 Taking a Picture

- Hold the camera securely.
- Use the Zoom Lever to select Tele or Wide positions to zoom in or out on your subject.
- Press the Shutter Button half way down to focus on the subject. When the focus frame turns green, press the Shutter Button completely down to take your photo.

5 Using the Mode Dial

This camera provides a convenient Mode Dial that allows you to manually switch among different camera settings with ease. Available modes are listed below:

	Auto Mode	P	Program AE
S	Shutter Priority	A	Aperture Priority
M	Manual Mode		Face Beautifier
	Panorama Mode	SCN	Scene Mode
	Movie Mode	CS	Custom Settings

6 Using the Fast Video Recording Button

In Shooting Mode, press the [Fast Video Recording] button to begin recording a video. After recording, press the [Fast Video Recording] button again to stop recording. The camera will store the video and return to the shooting screen.

7 Using the Menu Button

In each mode, press the [Menu] button to access the "Easy Menu". Press the [▲ AF] / [▼] buttons to move among options, then press the [SET] button to make a selection. Choosing the [Full Menu] within this list will provide access to the "Full Menu":

Shooting Mode		Playback Mode	
	Shoot Settings		Playback Settings
	General Settings		General Settings
	Connection Settings		Connection Settings
	File Settings		File Settings