



KODAK PIXPRO FZ45

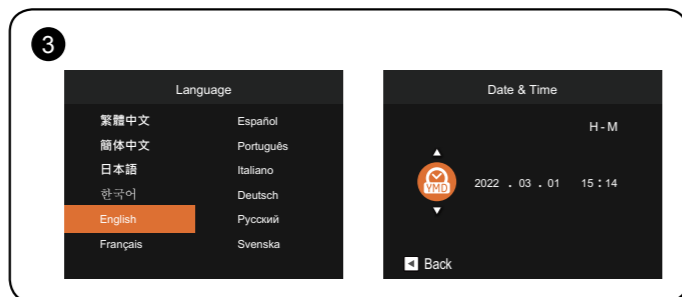
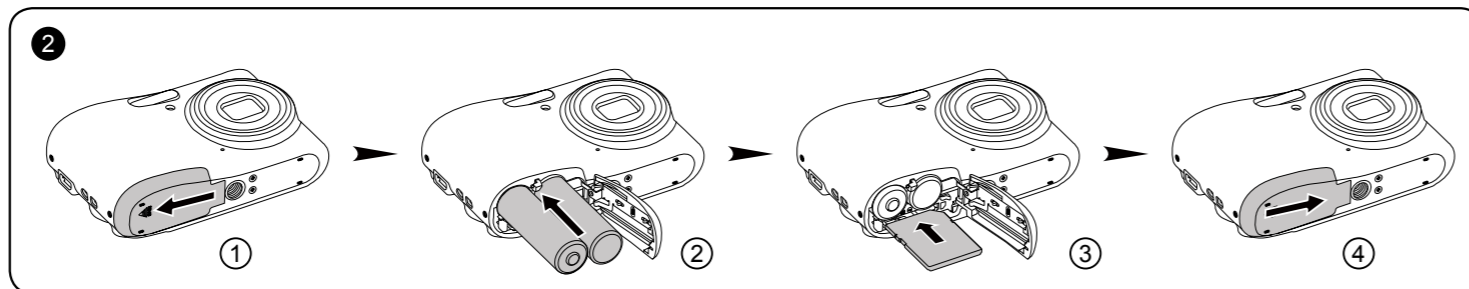
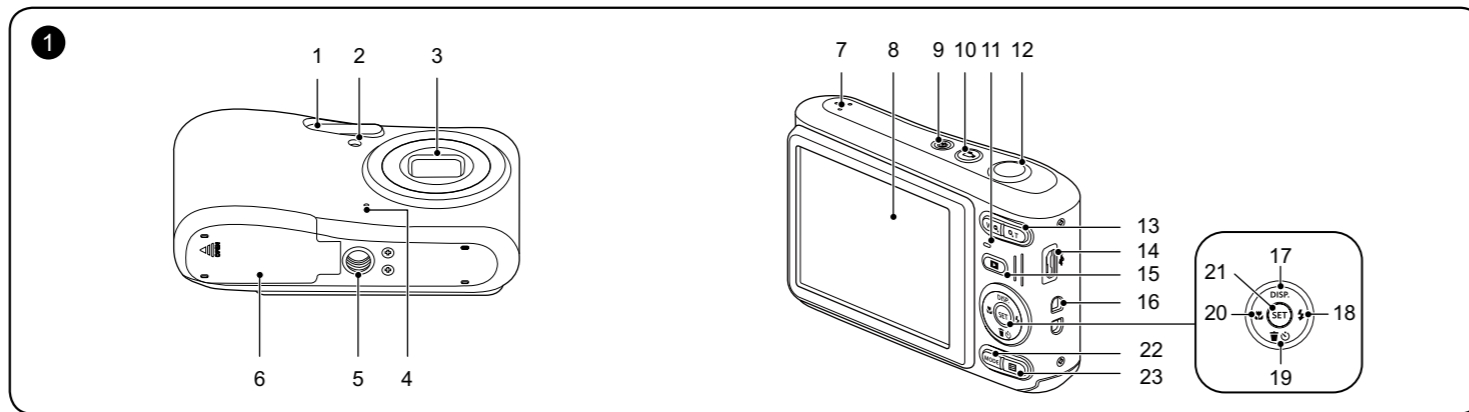
DIGITAL CAMERA



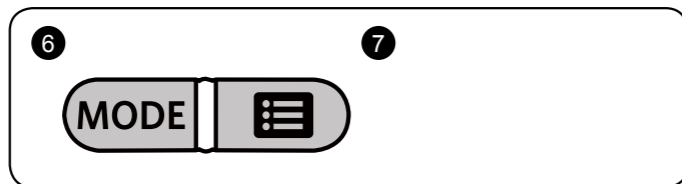
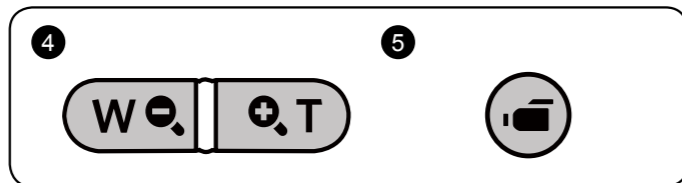
- Quick Start Guide
- Guide de démarrage rapide
- Guía de inicio rápido
- Guia de Inicialização rápida
- Schnellstartanleitung
- Краткое руководство
- Üzembe helyezési útmutató
- Guida avvio veloce
- Коротка інструкція

The Kodak trademark, logo and trade dress are used under license from Eastman Kodak Company.
 La marque de commerce Kodak, logo et son apparence sont utilisées sous licence Eastman Kodak Company.
 La marca, el logotipo y la imagen comercial Kodak son usadas bajo licencia de Compañía Eastman Kodak.
 A marca, logotipo e a imagem comercial Kodak são usadas sob licença da Eastman Kodak Company.
 Die Kodak, das Logo und die Kodak-Markenausstattung werden unter Lizenz von Eastman Kodak Company genutzt.
 Товарный знак Kodak, логотип и товарная упаковка используются по лицензии компании Eastman Kodak Company.
 A Kodak márkajelzés, embléma és kereskedelmi jelzés használata a Eastman Kodak Company engedélyével történik.
 Il marchio Kodak, logo ed il trade dress Kodak sono usati sotto licenza di Eastman Kodak Company.
 Торгова марка Kodak, логотип та фірмовий стиль використовуються за ліцензією Eastman Kodak Company.

© 2022 JK Imaging Ltd. All Rights Reserved.
 JK Imaging Ltd., 17239 So. Main Street, Gardena, CA 90248 USA
 kodakpixpro.com



The Camera User Manual is available online at the website below:
 Le Manuel d'utilisation de l'Appareil Photo est disponible dans le site internet suivant:
 El manual de usuario de la cámara se encuentra disponible en el siguiente sitio web:
 O Manual do usuário da Câmera é disponível no site Web abaixo:
 Das Benutzerhandbuch der Kamera ist auf der folgenden Website verfügbar:
 Руководство пользователя камеры размещены на веб-сайте:
 A kamera Felhasználói kézikönyv az alábbi webhelyen található:
 Il manuale dell'utente della fotocamera è disponibile al sito web riportato sotto:
 інструкції до камери користувача доступний на веб-сайті нижче:



1 Camera Views

1 Flash Lamp	13 Zoom Button
2 AF Assist Beam/Self-Timer Lamp	14 Micro USB Port
3 Lens	15 Playback Button
4 Speaker	16 Strap Eyelet
5 Tripod Socket	17 [▲ DISP.] Display Button/Arrow Button (Up)
6 Battery Cover	18 [▶/⏏] Flash Button/Arrow Button (Right)
7 Microphone	19 [▼/⏏] Delete Button/Self-Timer Button/Arrow Button (Down)
8 LCD	20 [◀/⏏] Macro Button/Arrow Button (Left)
9 Power Button	21 SET Button
10 Fast Video Recording Button	22 Mode Button
11 Indicator Lamp	23 Menu Button
12 Shutter Button	

2 Inserting the Battery and the Memory Card

- Open the battery cover door as shown in step ①.
- Insert the battery into the battery compartment.
- Insert the memory card into the memory slot.
- Close the battery cover door as shown in step ④.

3 Setting the Language/Date/Time

- Press the power button to turn the camera on and the language menu will appear. Use the [▲ DISP.]/[▼/⏏]/[◀/⏏]/[▶/⏏] buttons to select a language, and press the (M) button to confirm the language.
- Use the [▲ DISP.]/[▼/⏏]/[◀/⏏]/[▶/⏏] buttons again to set the date and time, and press the (M) button to confirm.

4 Taking a Picture

- Hold the camera securely.
- Use the zoom button to select Tele or Wide position to zoom in or out on your subject.
- Press the shutter button half way to focus on the subject. When the focus frame turns green, press the shutter button completely down to take your photo.

5 Using the Fast Video Recording Button

In shooting mode, press the (M) button to begin recording a video. After recording, press the (M) button again to stop recording. The camera will store the video and return to the shooting screen.

6 Using the Mode Button

This camera provides a convenient mode button that allows you to manually switch among different camera settings with ease. Available modes are listed below:

Auto Mode	Program AE
Manual Mode	Movie Mode
Scene Mode	Panorama Mode
Face Beautifier	

7 Using the Menu Button

In each mode, press the (M) button to access the "Easy Menu". Press the [▲ DISP.]/[▼/⏏] buttons to move among options, then press the (M) button to make a selection. Choosing the (M) within this list will provide access to the "Full Menu":

Shooting Mode	Playback Mode
Shoot Settings	Playback Settings
General Settings	General Settings
Connection Settings	Connection Settings
File Settings	File Settings